

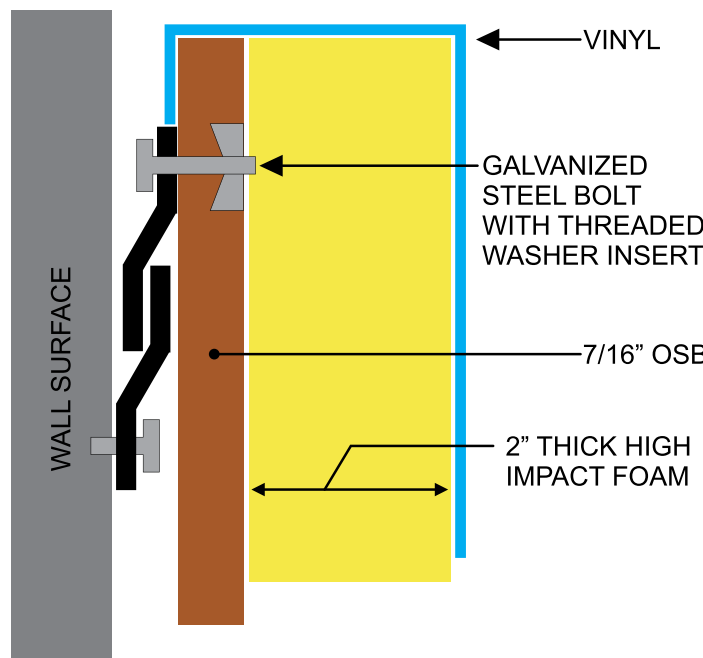
MOUNTING SYSTEMS

Z-Bracket

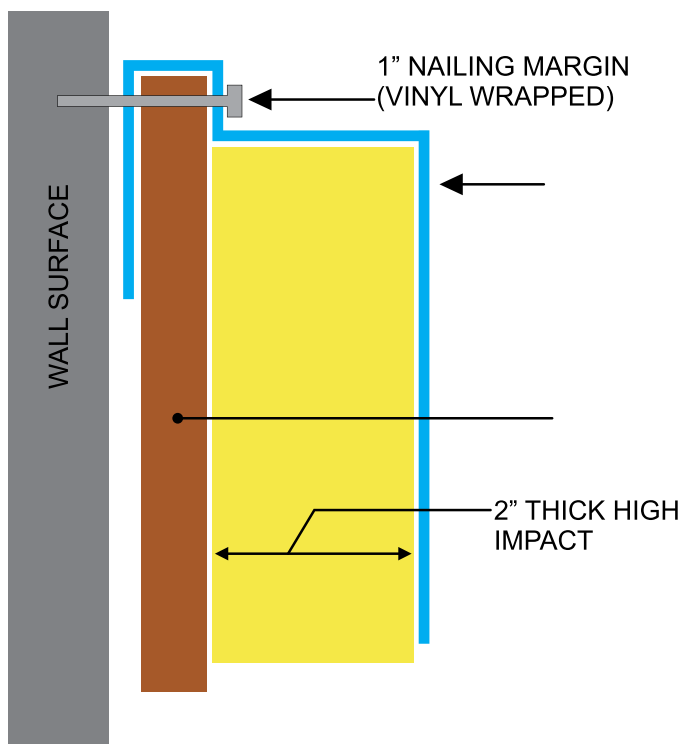
Z-Brackets provide an easy option for mounting panels to walls. They are optimal for both outdoor or indoor mounting and allow the panels to easily slide into place for quick mounting and unmounting.

This is a great option if you are planning on taking your panels down and putting them back up. This will prevent damage and maintain the life span of the panels.

Z-Bracket



Nailing Lip



Nailing Lip

Each panel will have a 1 inch nailing lip on top and bottom. This method will require 4-drill holes. 2 at the top and 2 at the bottom of each pad, used to attach to the wall. This is a more permanent solution. The panels can be taken down by

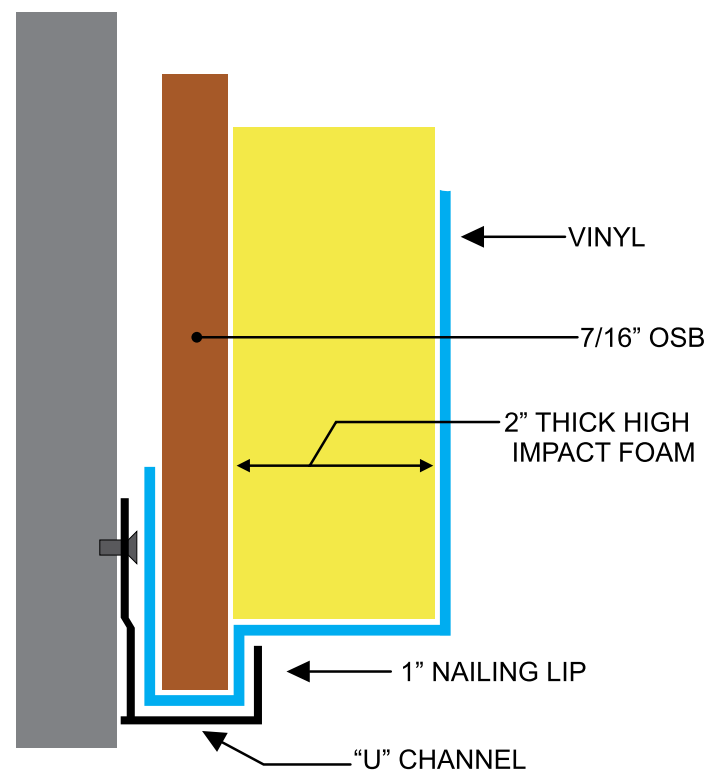
removing screws holding them in place. This will result in leaving drill holes in the panels nailing lips. A frame may need to be constructed and installed to insure proper support for the pads.

"U" Channel

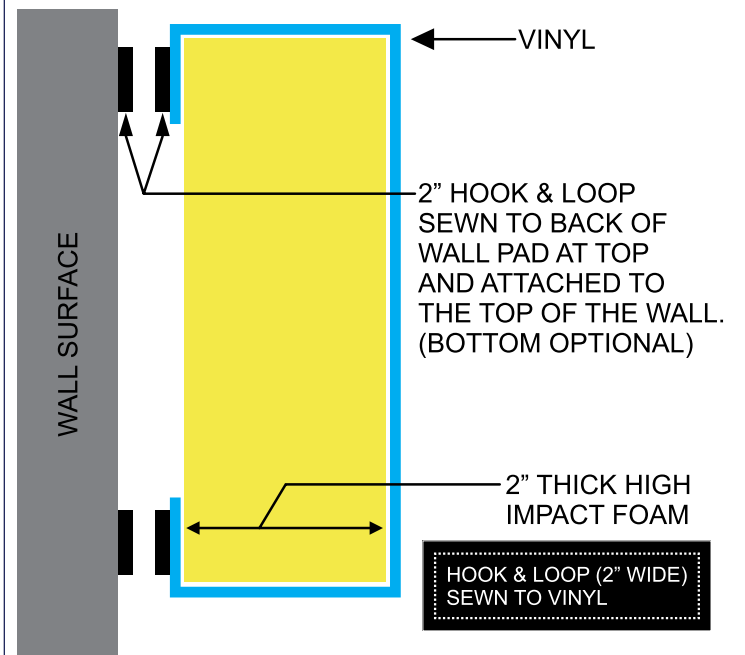
"U" Channel is another option. It requires mounting hardware that will stay in place on the wall. The panels can drop in from the top and this allows

for easy mounting of the pads. It is recommended to use a 1 inch nailing lip at the top of the pad for added stability.

"U" Channel



Hook and Loop



Hook and Loop

The Hook and Loop method is only for indoor applications. Hook and Loop is sewn onto the removable non-wood backed pad. The opposing hook and loop piece will be attached to the wall

for easily installation and movement. Hook and loop fasteners, consist of two components: two lineal fabric strips which are attached to the opposing surfaces to be fastened.